

Security Screen Door Hardware



We take the worry out of
protecting what's valuable to you.
Lockwood: *no worries*[®]

LOCKWOOD

ASSA ABLOY

25YEAR

**MECHANICAL
WARRANTY**

www.lockweb.com.au

**We take the worry out of
protecting what's valuable to you.**
Lockwood: *no worries*[®]

Contents



**8654 Hinged Security
Screen Door Lock**

page 4



**8653 Sliding Security
Screen Door Lock**

page 19



**300-4
Screen Latch**

page 26



**403 Pneumatic
Screen Door Closer**

page 28

8654 Hinged Security Screen Door Lock



The Lockwood 8654 Hinge Security Door Lock has been designed in Australia and manufactured to stringent quality specifications. Incorporating Lockwood's advanced DualSelect®, safety and security feature, the 8654 Hinge Security Door Lock is ideal for use in residential applications.

Application

Single or multi point mortice hinge security door lock available in high strength (3 point) and standard versions. Snib only and no snib mortice locksets are also available.



Kinetic Defence®
Bump and pick resistant.



DualSelect®
Turn the key for safety mode. Turn the key further to select secure mode.

Product Details

Bolt	Stainless steel hookbolt for increased security
Snib	Large ergonomically improved snib to assist with operation
Dimensions	Suits standard 20mm door thickness
Handing	Suits left or right handed hinged screen doors
Finishes	Chrome Plate (CP) Satin Chrome Pearl (SP) Everbrass (Gold Plate) (EVB) Polyester Powdercoat (PPC) Black (BLK) Brown (BRN) Gold Spangle (GSP) Magnolia (MAG) Primrose (PRM) White (WH) White Birch (WHB) Silver (SIL) Doeskin (DS)
Installation	Fits industry standard cut outs/door preparation. Retrofits Whitco Tasman Mk2 and Mk3 Locks.
Latch	Self latching with stainless steel hook deadbolt for improved security performance
Locking	Key locking from both sides. Inside snib locking (with key override). Can only be locked when fully engaged with strike
Plate	Stainless Steel front end plates

Note: Safety mode: (Privacy-lock / Snibbed) Secure mode: (Deadlock). Snib only version also available. No snib version also available. Optional 3 point kits available for premium security. When 3 point kit is fitted, snib activates/operates all 3 locking points.

Standards and Compliance

S6

High security for maximum protection Australian Standard (AS4145.2:2008)

D7

High durability for maximum frequency usage Australian Standard (AS4145.2:2008)

Successfully tested on security screen doors in accordance with Australian Standard (AS 5039-2008): Security Screen Doors and Security Window Grilles

Australian Standard (AS 5041-2003): Methods of Test

8654 Hinged Security Screen Door Lock

Features and Specifications

- Dual Select® - 2 stage key locking, offers safety and security for all occupants by giving a choice of selecting safety mode or secure mode when exiting the home
- Turning the key to the first selection engages the safety lock, this offers security from the outside whilst allowing occupants inside to safely exit using the internal lever and snib
- Turning the key to the second selection engages the secure lock, this provides internal and external security, and requires the key to unlock the door from inside and outside
- Push on actuating bar suits above or below centreline applications
- Zinc diecast lock mechanism and furniture
- Easy installation for both new and retrofit applications
- Accepts Lockwood Euro profile lazy cam cylinder
- Available in trade packs only.

Keying

- Use with Lockwood Euro profile lazy cam cylinder - with Kinetic Defence™ and Anti-Drill
- 2 x 5 pin cylinder with C4 Profile
- Can be keyed alike to other Lockwood C4 door and window products

Accessories

A wide range of Accessories and Spare Parts are available to support the 8654 Hinged Door range.

See table opposite for part numbers and also further technical info on following pages.

Polyester Powdercoat Finishes

Part Number	Finish	Description
8654BLK	Black	Single point lockset no cylinder
8654BRN	Brown	Single point lockset no cylinder
8654GSP	Gold Spangle	Single point lockset no cylinder
8654MAG	Magnolia	Single point lockset no cylinder
8654PRM	Primrose	Single point lockset no cylinder
8654STB	Stone Beige	Single point lockset no cylinder
8654WH	White	Single point lockset no cylinder
8654WHB	White Birch	Single point lockset no cylinder
8654DS	Doeskin	Single point lockset no cylinder
8654SIL	Silver	Single point lockset no cylinder
8654PPC	Various	Single point lockset no cylinder
8654NSBLK	Black	Single point lockset no cylinder, no snib
8654EWSBLK	Black	Single point lockset no cylinder, extra wide strike
8654SOBLK	Black	Single point lockset snib only

Plated Finishes

Part Number	Finish	Description
8654CP	Chrome Plate	Single point lockset no cylinder
8654EVB	Everbrass (Gold Plate)	Single point lockset no cylinder
8654SP	Satin Chrome Pearl	Single point lockset no cylinder

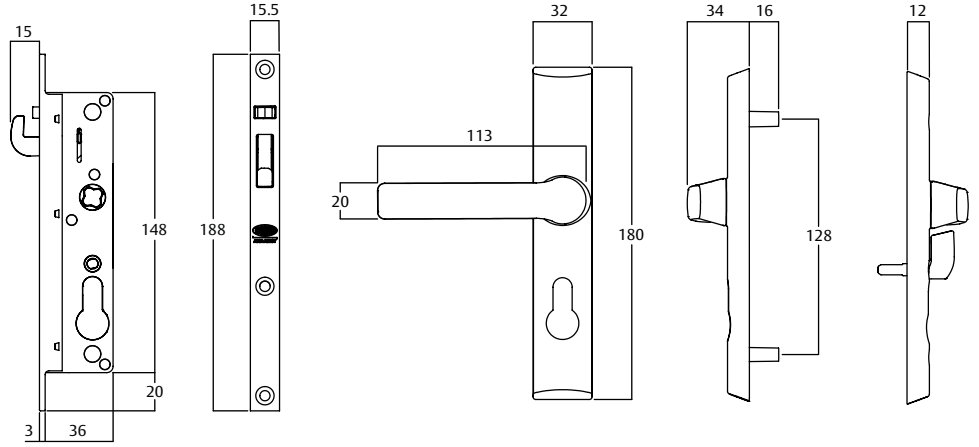
Note: Complete lockset includes furniture, snib, strike, installation instructions and screw packs.

8654 Hinged Security Screen Door Lock

8654BLK



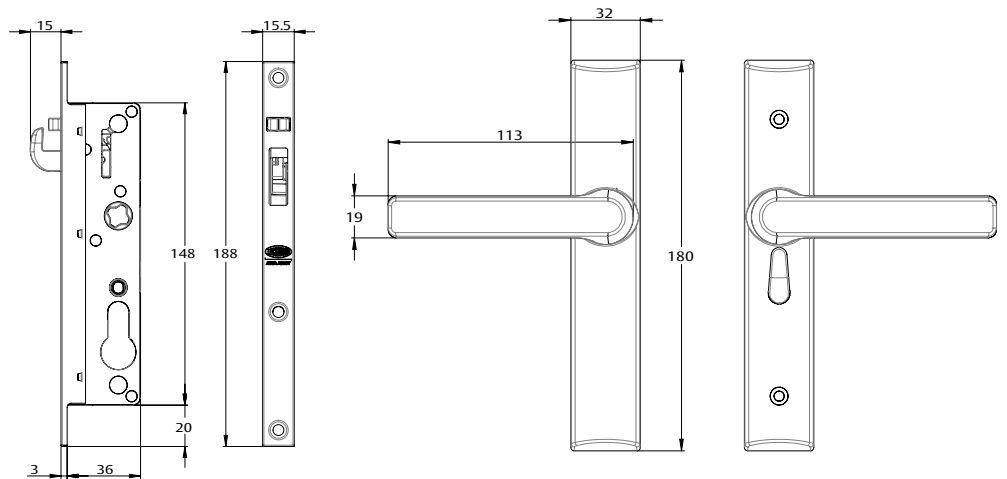
Interior



8654SOBLK



Interior

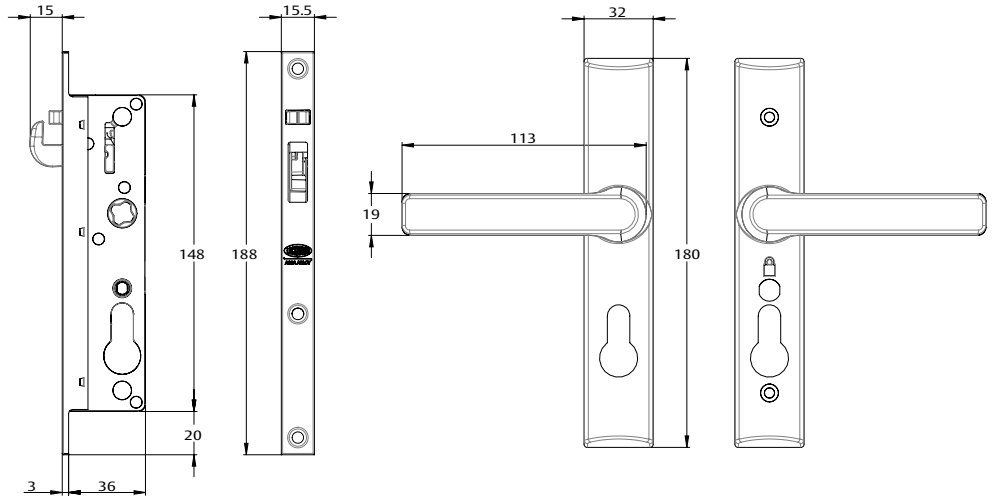


8654 Hinged Security Screen Door Lock

8654NSBLK



Interior



8654 Hinged Security Screen Door Lock

Keying

- Use with Lockwood Euro profile lazy cam cylinder - with Kinetic Defence™ and Anti-Drill
- 2 x 5 pin cylinder with C4 Profile
- Can be keyed alike to other Lockwood C4 door and window products



Kinetic Defence®
Bump and pick resistant.



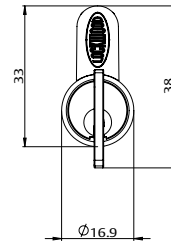
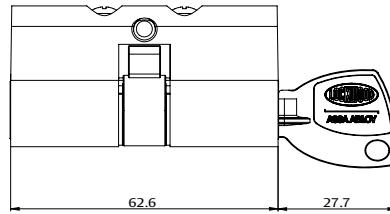
DualSelect®
Turn the key for safety mode. Turn the key further to select secure mode.

Cylinders

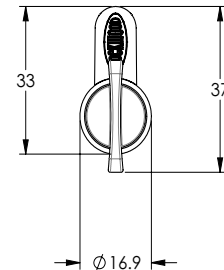
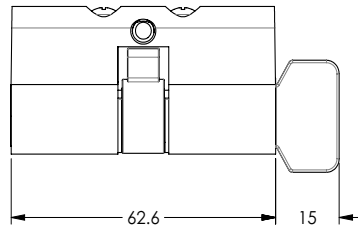
Part Number	Finish	Description
8650-2CP	Chrome Plate	Anti Drill Euro Cylinder with Kinetic Defence
8650-2CP-01	Chrome Plate	Anti Drill Euro Cylinder with Kinetic Defence - Key 01
8650-2CP-02	Chrome Plate	Anti Drill Euro Cylinder with Kinetic Defence - Key 02
8650-2CP-03	Chrome Plate	Anti Drill Euro Cylinder with Kinetic Defence - Key 03
8650-2CP-04	Chrome Plate	Anti Drill Euro Cylinder with Kinetic Defence - Key 04
8650-2CP-05	Chrome Plate	Anti Drill Euro Cylinder with Kinetic Defence - Key 05
8650-2CP-06	Chrome Plate	Anti Drill Euro Cylinder with Kinetic Defence - Key 06
8650-2CP-07	Chrome Plate	Anti Drill Euro Cylinder with Kinetic Defence - Key 07
8650-2CP-08	Chrome Plate	Anti Drill Euro Cylinder with Kinetic Defence - Key 08
8650-2CP-09	Chrome Plate	Anti Drill Euro Cylinder with Kinetic Defence - Key 09
8650-2CP-10	Chrome Plate	Anti Drill Euro Cylinder with Kinetic Defence - Key 10
8650-2CP5PK	Chrome Plate	Anti Drill Euro Cylinder with Kinetic Defence - Project Keyed
8650-2CPKA	Chrome Plate	Anti Drill Euro Cylinder with Kinetic Defence - Keyed Alike
8650-2CPKD	Chrome Plate	Anti Drill Euro Cylinder with Kinetic Defence - Keyed Different
8650-2CPRKA/20	Chrome Plate	Anti Drill Euro Cylinder with Kinetic Defence - Random Keyed Alike X 20
8650-2CP-T	Chrome Plate	Anti Drill Euro Cylinder with Non Handed Turnknob



8650-2CP



8650-2CP-T



8654 Hinged Security Screen Door Lock

Accessories

A wide range of accessories and spare parts are available to support the 8654 Hinged Door range.

See table opposite for part numbers and also further technical info on following pages.

Multi Point Kits

Part Number	Description
8654-3PK	Standard 3 point kit
8654-3PK/HS	High security 3 point kit
8654-3PK/PBT	Projection Bolt 3 point kit
8654-3PK/SR	Short rod 3 point kit
8654-3PK/RF	Retro fit rod 3 point kit
8654-3PK/PBTRF	Projection Bolt 3 point kit - RF rods

Accessories / Spare Parts

Part Number	Description
SP8654-20	Strike centre lock (standard)
SP8654-21	Strike centre lock (extra width)
SP8654-22	Strike centre lock (12mm step over)
SP8654-23	Strike aux lock (standard)
SP8654-24	Strike aux lock (12mm step over)
SP8654-25	8654 Strike french door
SP8654-26	8654/MK3 Tasman retrofit strike
SP8654-27	8654 Strike packer 1.5mm - main lock PK = 50
SP8654-28	8654 Actuator bar spacer PK = 50
SP8654-29	8654 Narrow plate main lock strike french/double doors
SP8654-30	8654 Narrow plate auxiliary lock strike french/double doors
SP8654-31	8654 Projection bolt 3PT actuator bar-grey
SP8654-32	8654 Strike centre lock - extra width - 75mm
SP8654-33	8654 Strike centre lock - extra - 95mm
SP8654-34	8654 Narrow plate main strike packer 3mm
SP8654-35	8654 Narrow plate aux strike packer 3mm
SP8654-36	8654 Strike centre lock - bump strike
SP8654-37	8654 Strike centre lock - broad retrofit strike
SP8654-55	8654 Standard 3PT actuator bar-black PK=100

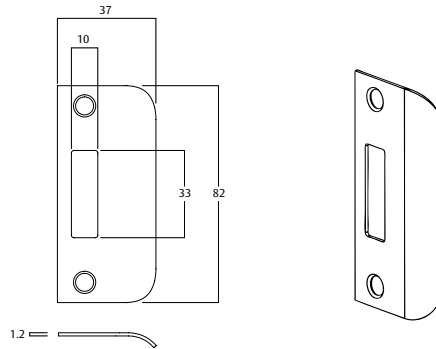
Installation Templates

Part Number	Description
SP8654-AUX-STP	8654 Auxiliary lock strike pocket template - SS
SP8654-MAIN-STP	8654 Main lock strike pocket template - SS

8654 Hinged Security Screen Door Lock

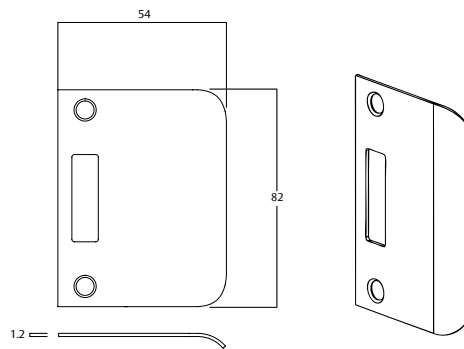
Strike - Centre Lock (Standard)

Part Number SP8654-20



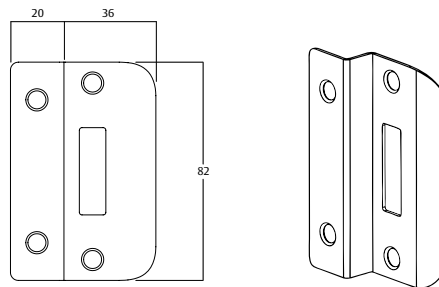
Strike - Centre Lock (Extra Width)

Part Number SP8654-21



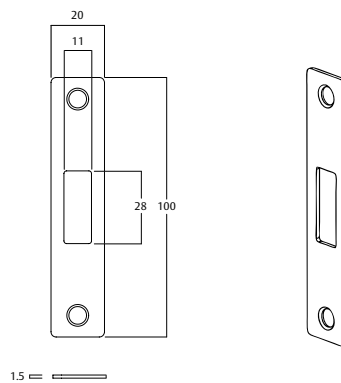
Strike - Centre Lock (12mm Step Over)

Part Number SP8654-22



Strike - Aux Lock (Standard)

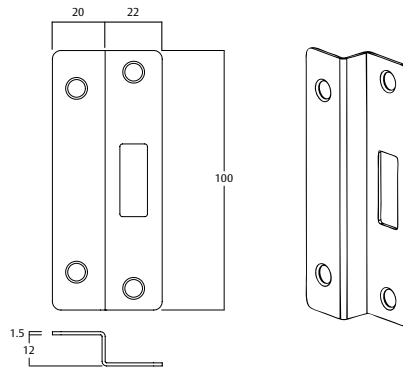
Part Number SP8654-23



8654 Hinged Security Screen Door Lock

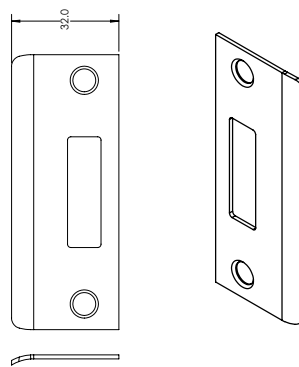
Strike - Aux Lock
(12mm Step Over)

Part Number SP8654-24



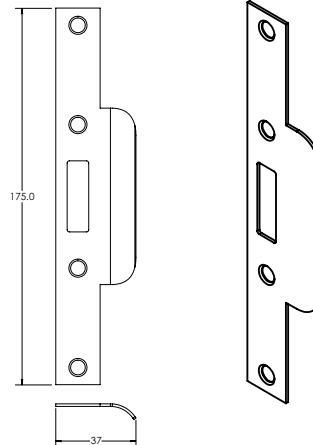
8654 Strike - French Door

Part Number SP8654-25



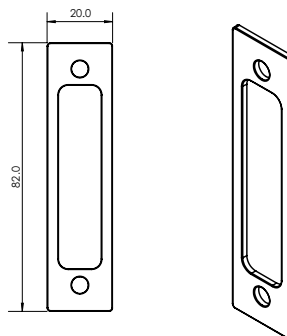
8654/MK3 Tasman - Retrofit
Strike

Part Number SP8654-26



8654 Strike Packer 1.5mm -
Main Lock PK = 50

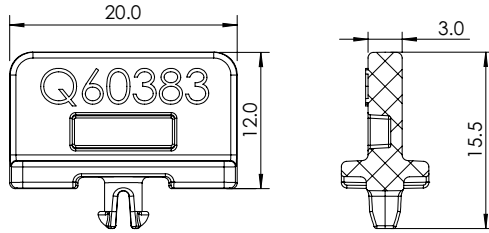
Part Number SP8654-27



8654 Hinged Security Screen Door Lock

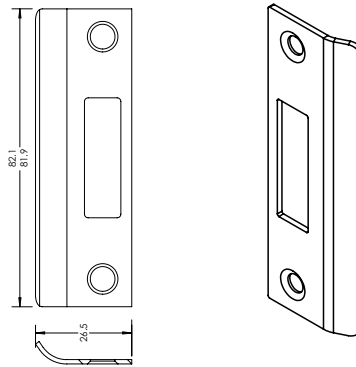
8654 Actuator Bar
Spacer PK = 50

Part Number SP8654-28



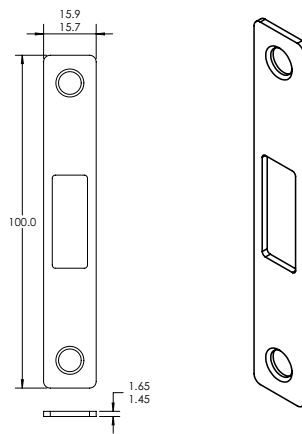
8654 Narrow Plate Main Lock
Strike - French/Double Doors

Part Number SP8654-29



8654 Narrow Plate Auxiliary
Lock Strike - French/Double
Doors

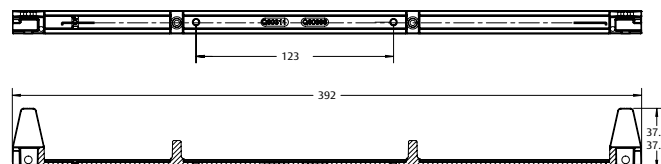
Part Number SP8654-30



8654 Projection Bolt 3PT
Actuator Bar-Grey

Part Number SP8654-31

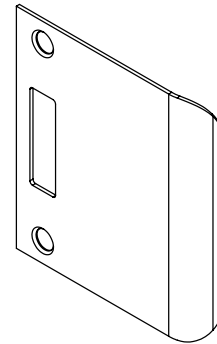
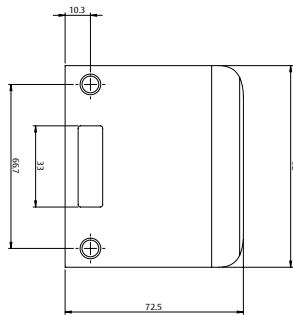
Note: Included with 8654-3PK/PBT kits



8654 Hinged Security Screen Door Lock

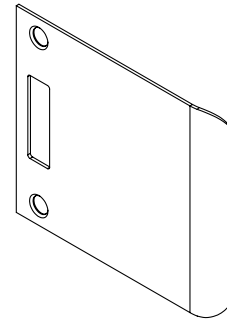
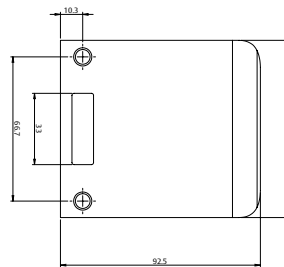
8654 - Strike Centre
Lock - Extra Width - 75mm

Part Number SP8654-32



8654 - Strike Centre
Lock - Extra Width - 95mm

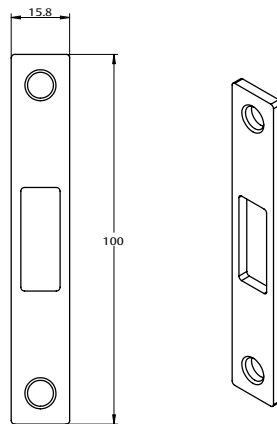
Part Number SP8654-33



8654 Narrow Plate Main
Strike Packer 3mm

Part Number SP8654-34

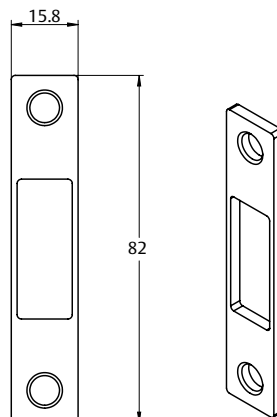
Note: Use with SP8654-30



8654 Narrow Plate Aux
Strike Packer 3mm

Part Number SP8654-35

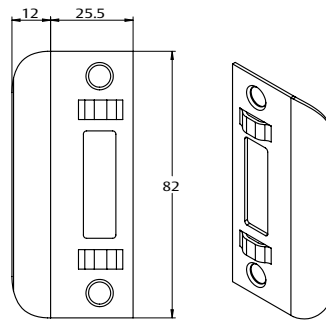
Note: Use with SP8654-29



8654 Hinged Security Screen Door Lock

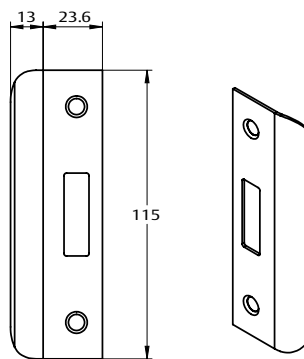
8654 Strike Centre
Lock - Bump Strike

Part Number SP8654-36



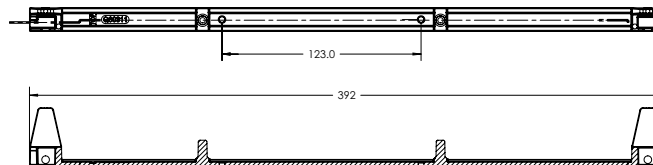
8654 Strike Centre
Lock - Broad Retrofit Strike

Part Number SP8654-37



8654 Standard 3pt
Actuator Bar - Black PK=100

Part Number SP8654-55

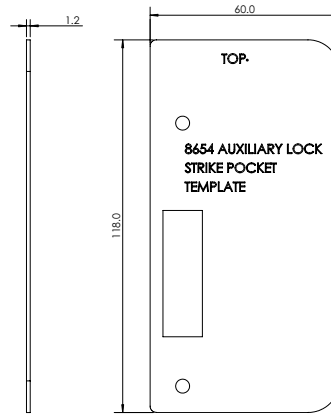


8654 Hinged Security Screen Door Lock

Installation Templates

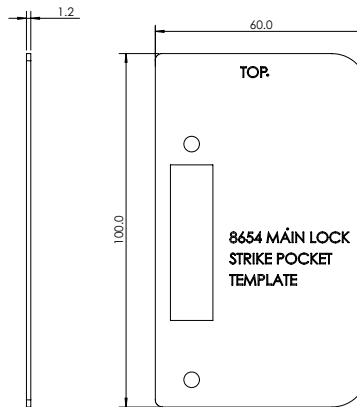
8654 Auxiliary Lock Strike
Pocket Template-SS

Part Number SP8654-AUX-STP



8654 Main Lock Strike
Pocket Template-SS

Part Number SP8654-MAIN-STP



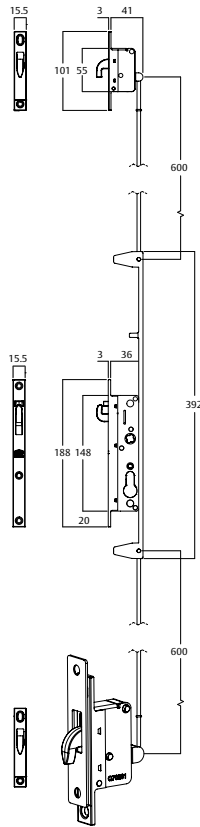
8654 Hinged Security Screen Door Lock

Multi Point Kits

8654 - 3 Point Kits

Part Number 8654-3PK

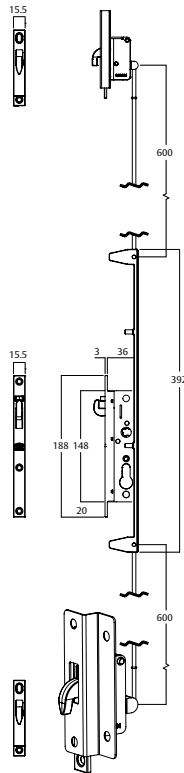
Standard 3 Point Locking Kit utilizing hook bolt actuators for premium security.



8654 - 3 Point Kits

Part Number 8654-3PK/HS

High Security 3 Point Locking Kit utilizing hook bolt actuators and high security step over strikes for optimum security.

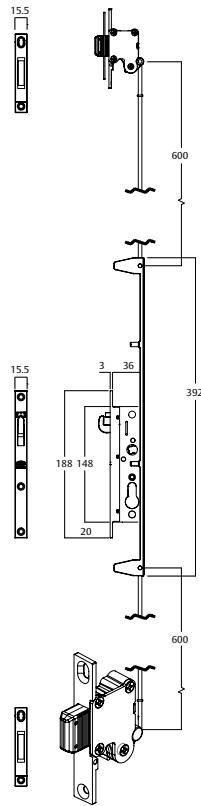


8654 Hinged Security Screen Door Lock

8654 - 3 Point Kits

Part Number 8654-3PK/PBT

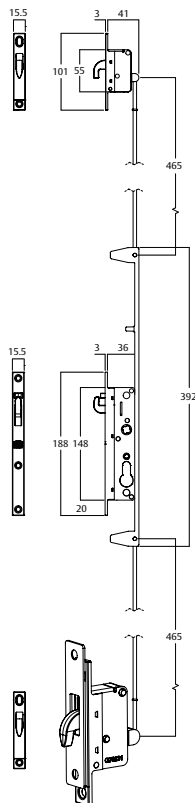
Projection Bolt 3 Point Locking Kit utilizing projection bolt actuators. Allows ease of installation while still offering premium security.



8654 - 3 Point Kits

Part Number 8654-3PK/SR

Short Rod set - 3 point locking kit utilizing hook bolt actuators for premium security.

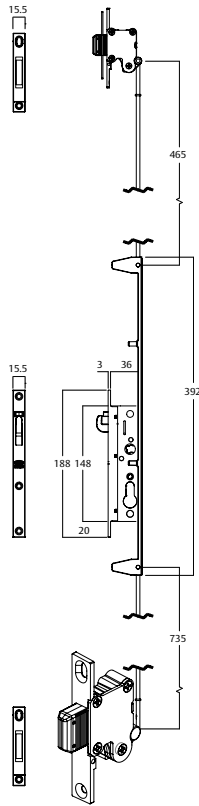


8654 Hinged Security Screen Door Lock

Projection Bolt 3 Point Kit - RF Rods

Part Number 8654-3PK/PBTRF

Projection Bolt 3 Point Locking Kit utilizing projection bolt actuators. Allows ease of installation while still offering premium security.



8653 Sliding Security Screen Door Lock



The Lockwood 8653 Sliding Door Lock incorporates Lockwood's advanced safety and security features, DualSelect® and LockAlert® the 8653 Sliding Security Door Lock is ideal for use in residential applications.

Application

Single or multi point mortice sliding security door lock available in high strength (3 point) and standard versions. A snib only mortice lockset is also available.

Product Details

Latch	Self latching with stainless steel parrot beak deadlatch
Description	Large ergonomically improved snib to assist with operation
Dimensions	Suits standard 20mm door thickness
Handing	Suits left or right handed sliding screen doors
Finishes	Black (BLK) Primrose (PRM) White (WH) Polyester Powdercoat (PPC)

Note: Safety mode: (Privacy-lock / Snibbed) Secure mode: (Deadlock). Snib only version also available. No snib version also available. Optional 3 point kits available for premium security. When 3 point kit is fitted, snib activates/operates all 3 locking points

Standards and Compliance

S7 High security for maximum protection Australian Standard (AS4145.2:2008).

D8 High durability for maximum frequency usage Australian Standard (AS4145.2:2008).

Successfully tested on security screen doors in accordance with Australian Standard (AS 5039-2008): Security Screen Doors and Security Window Grilles.

Australian Standard (AS 5041-2003): Methods of Test.

8653 Sliding Security Screen Door Lock

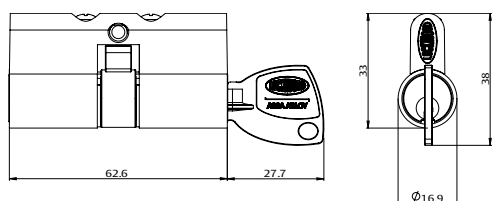
Features and Specifications

- 2 stage key locking, offers safety and security for all occupants by giving a choice of selecting privacy lock or deadlock when exiting the home
- Turning the key to the first selection engages the privacy lock, this offers security from the outside whilst allowing occupants inside to safely exit using the internal lever
- Turning the key to the second selection engages the deadlock, this provides internal and external security, and requires the key to unlock the door from inside and outside
- Zinc diecast lock mechanism and furniture
- Easy installation for both new and retrofit applications
- Accepts Lockwood Euro profile lazy cam cylinder
- Available in display and trade packs

Keying

- Use with Lockwood Euro profile lazy cam cylinder
- 2 x 5 pin cylinder
- Can be keyed alike to other Lockwood door and window products.

Note: For more Keying options refer back to page 8 of this catalogue



Single Point Locksets

Part Number	Finish	Description
8653BLK	Black	Single point lockset no cylinder
8653PRM	Primrose	Single point lockset no cylinder
8653WH	White	Single point lockset no cylinder
8653PPC	Various	Single point lockset no cylinder
8653BLKDP	Black	Single point lockset with cylinder (Display Pack)
8653BLKSO	Black	Single point snib only lockset

Note: Complete Lockset includes furniture, snibs, strike, installation instructions and screw packs.

Multi Point Kits

Part Number	Finish	Description
8653-3PK	n/a	Standard 3 point kit
8653-3PK/RF	n/a	Retro Fit 3 point kit
8653-3PK/SR	n/a	Short Rod 3 point kit

Accessories / Spare Parts

Part Number	Finish	Description
SP8653-53	Stainless Steel	8653 High Strength Strike (SS)
SP8653-63	N/A	8653 Retrofit 3pt Connecting Rod Set
SP8653-64	Stainless Steel	8653 Extra Thick High Strength Strike (SS)
8653DUMBLK	Black	8653 Dummy handle set

Cylinders

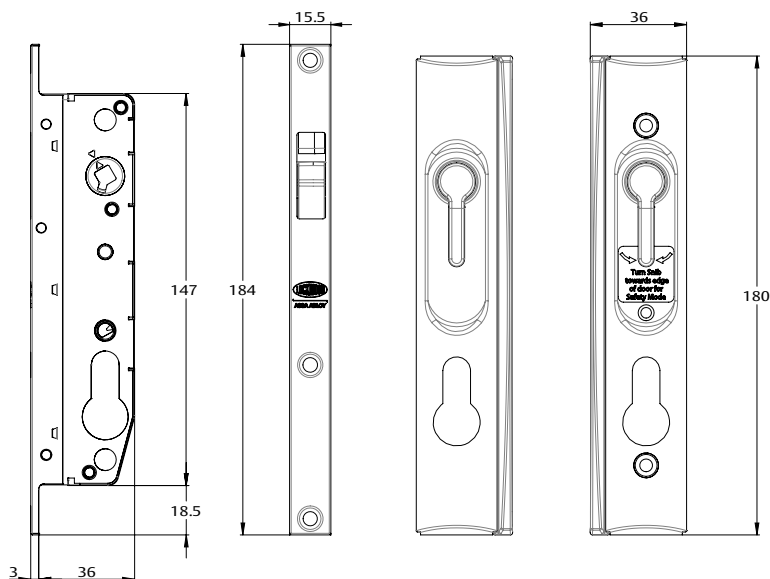
Part Number	Finish	Description
8650-2CP	Chrome Plate	Anti Drill Euro Lazy Cam cylinder w/ Kinetic Defence
8650-2CP-T	Chrome Plate	Anti Drill Euro Lazy Cam cylinder w/ Non Handed turn knob

8653 Sliding Security Screen Door Lock

8653BLK



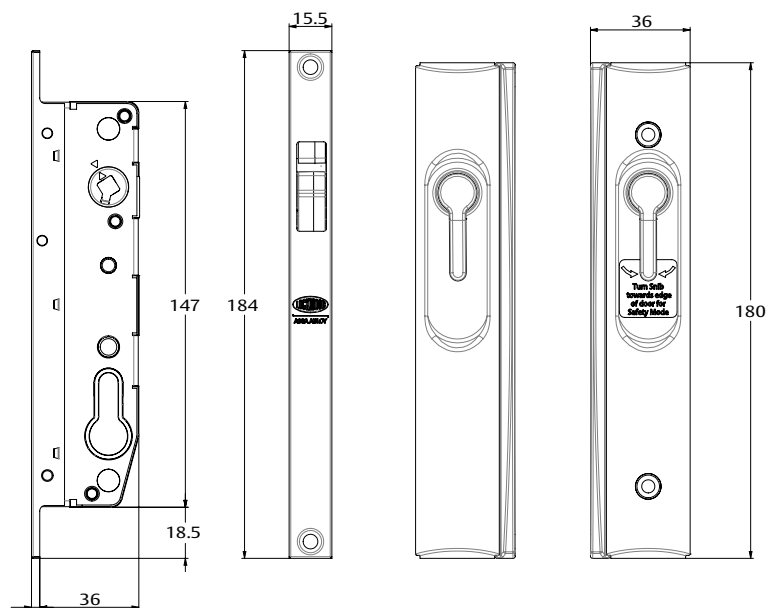
Interior



8653BLKSO



Interior

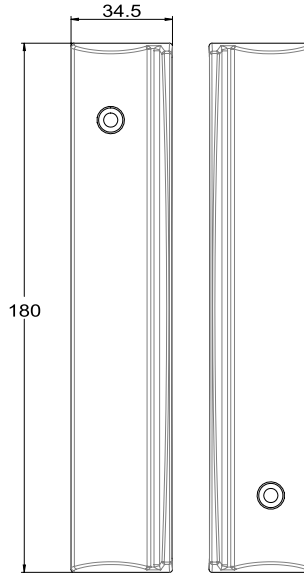


8653 Sliding Security Screen Door Lock

8653DUMBLK



Interior



Note: Supplied as a pair.



Kinetic Defence®
Bump and pick resistant.



DualSelect®
Turn the key for safety mode. Turn the key further to select secure mode.



LockAlert®
Interior Indicator shows lock status at a glance.



Safety Mode
Securely locked from outside and free from inside.



Secure Mode
Securely locked from both inside and outside. For when nobody is home.



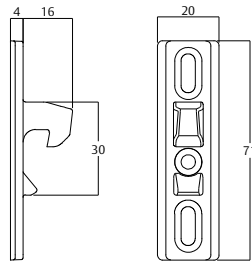
Passage Mode
Free to enter from outside and free to exit from inside.

8653 Sliding Security Screen Door Lock

Standard Strike (Zinc)

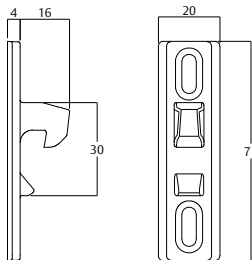
Part Number N/A

Note: Comes standard in all 8653 lock packs.



High Strength Strike (Stainless Steel)

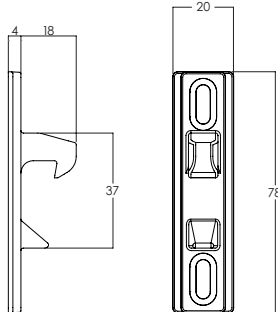
Part Number SP8653-53



Auxiliary Strike/3 Point (Stainless Steel)

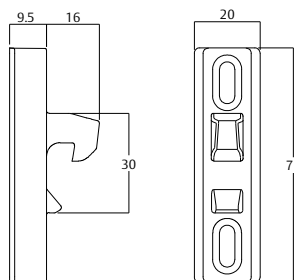
Part Number N/A

Note: Comes standard in 8653-3PK.



8653 Extra Thick High Strength Strike (Stainless Steel)

Part Number SP8653-64

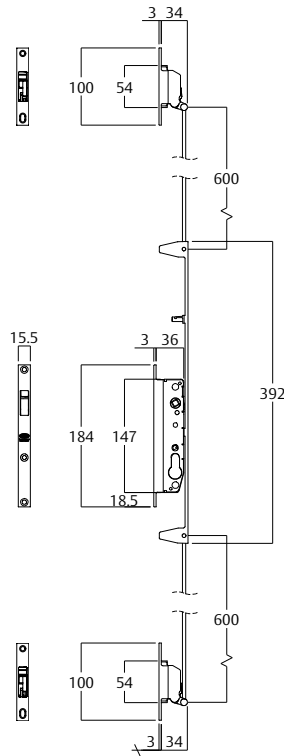


8653 Sliding Security Screen Door Lock

8653 - 3 Point Kits

Part Number 8653-3PK

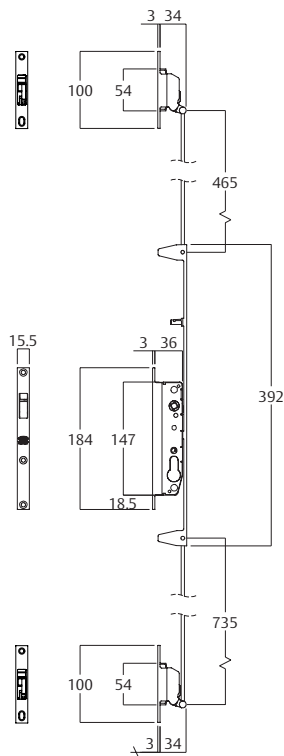
Standard 3 Point Locking kit for premium security.



8653 - 3 Point Kits

Part Number 8653-3PK/RF

Retrofit 3 Point Locking kit for premium security.

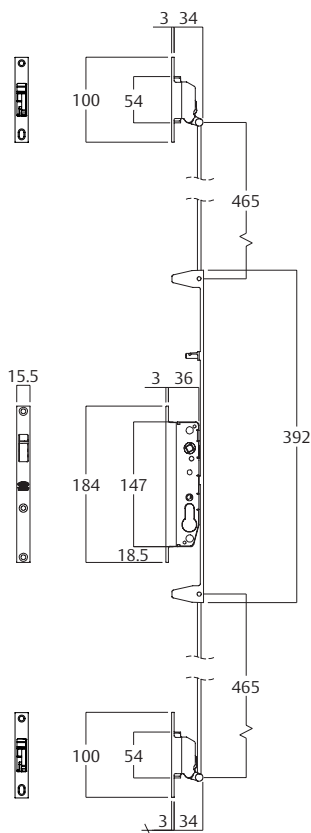


8653 Sliding Security Screen Door Lock

8653 - 3 Point Kits

Part Number 8653-3PK/SR

Short Rod set - 3 point locking kit for premium security.



300-4 Screen Door Latch



Features and Specifications

Opened from outside by knob, from inside by lever. Bolt may be held retracted or deadlocked by snib inside.

Application

Suitable for hinged screen doors where surface mounting is required.

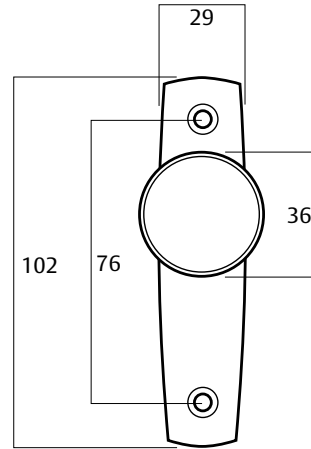
Product Details

Bolt	High purity zinc alloy 8mm projection
Door Thickness	19 mm to 38 mm
Materials	Zinc diecast case, bolt, knob and lever handle. Brass escutcheon. Steel spindle and strike.

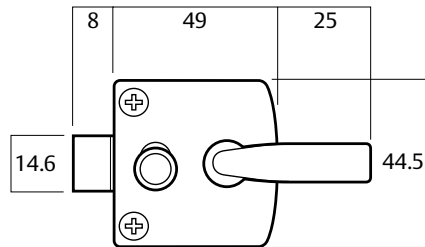
300-4 Screen Door Latch



Exterior



Interior



300-4 Screen Door Latch

Part Number	Finish	Description
Display Pack		
300-4BRNDP	Brown	300 Series Screen Door Latch DP
300-4CPDP	Chrome Plate	300 Series Screen Door Latch DP
300-4PBDP	Polished Brass	300 Series Screen Door Latch DP
300-4SPDP	Satin Chrome Pearl	300 Series Screen Door Latch DP

403 Pneumatic Screen Door Closer



403 Pneumatic Screen Door Closer is suitable for right or left hand hinged screen doors weighing up to 21kgs.

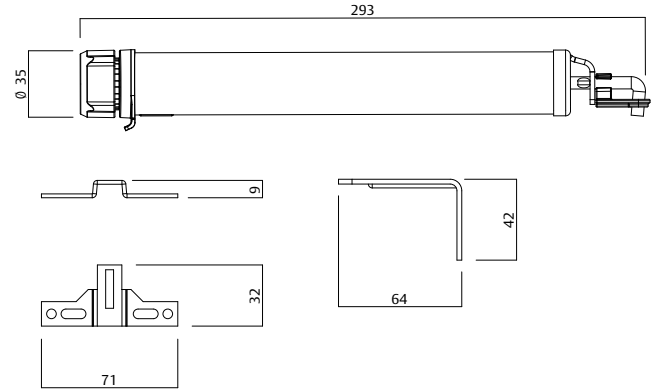
Features and Specifications

- Spring loaded bleed valve for smooth closing
- Closing speed easily hand adjustable
- Door hold-open feature
- Surface mounting
- Rapid air release function
- Automatic latch operation
- Easy installation

Product Details

Materials	Aluminium drawn cylinder, Zinc diecast cylinder end cap, Zinc plated steel rod and brackets.
Maximum Door Weight	21 kgs

403 Pneumatic Screen Door Closer



403 Pneumatic Screen Door Closer

Part Number	Finish	Description
Trade Pack		
403BLK	Black	403 Screen door closer TP
403PRM	Primrose	403 Screen door closer TP
403WH	White	403 Screen door closer TP
Display Pack		
403BLKDP	Black	403 Screen door closer DP
403BRNDP	Brown	403 Screen door closer DP
403SILDP	Silver	403 Screen door closer DP

Note: 403 Screen Door Closer for Doors Weighing up to 21kgs.



ASSA ABLOY

Lockwood is the leading brand in the Australian locking industry. With an established reputation for high quality products, this iconic brand provides a wide range of locking solutions to residential housing, commercial, semi-commercial, building and industrial application markets. Lockwood is supported by an extensive distribution and after-sales support network. Our customers include retailers, architects, trade and industrial personnel, locksmiths and security dealers.

ASSA ABLOY is the global leader in door opening solutions, dedicated to satisfying end-user needs for security, safety and convenience.

ASSA ABLOY is represented in all major regions, in both mature and emerging markets, with leading positions in Australia, Europe and North America.

**25YEAR
MECHANICAL
WARRANTY**

The Lockwood 25 Year Mechanical Warranty

Our belief that we manufacture the finest premium products available in today's market place is backed by the Lockwood 25 Year Mechanical Warranty, ensuring that Lockwood continues to keep Australians safe by delivering security and peace of mind.

For warranty terms and conditions, please visit www.lockweb.com.au or call **1300WARRANTY**

ASSA ABLOY Australia Pty Ltd
235 Huntingdale Road
Oakleigh, Victoria, 3166
Australia

1300 LOCK UP (1300 562 587)
lockweb.com.au

ASSA ABLOY New Zealand Ltd
6 Armstrong Road
Albany, Auckland, 0632
New Zealand

info.nz@assaabloy.com
Telephone +64 9415 7111
assaabloy.co.nz

Disclaimer

Whilst every effort has been made to ensure that the information (including product images and drawings) contained in this brochure is accurate at the time of publication, ASSA ABLOY Australia Pty Limited ("ASSA ABLOY") recommends that you consult ASSA ABLOY or its agents prior to placing an order to ascertain current information on specific products, as ASSA ABLOY reserves the right to make changes without notice. ASSA ABLOY will not be liable for any injury, loss or damage whatsoever, arising from any errors or omissions in the information contained in the brochure or arising from the use or application of the information contained herein. © 2016 copyright by ASSA ABLOY All rights reserved

